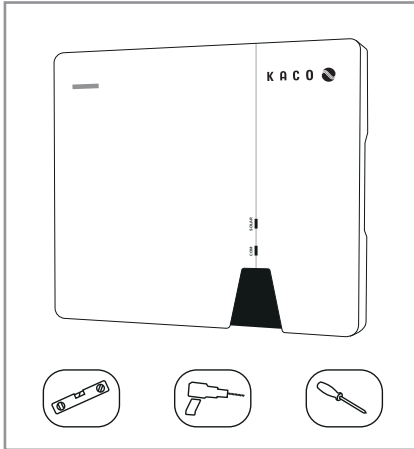


Pocket Guide

blueplanet NX3 series



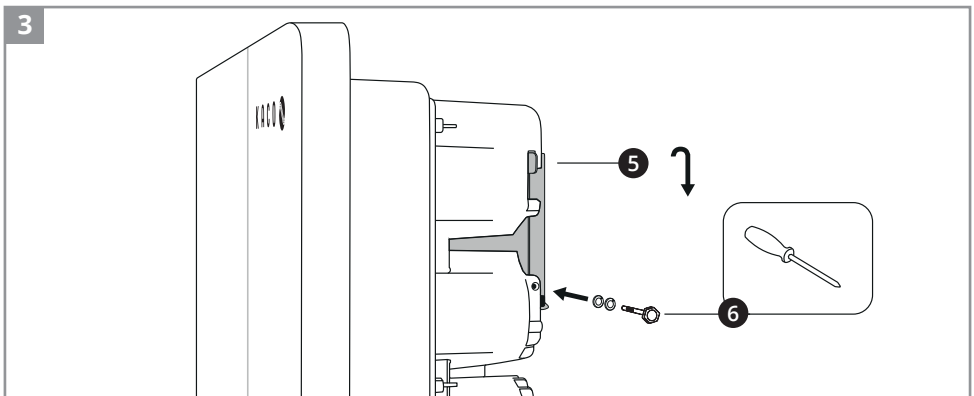
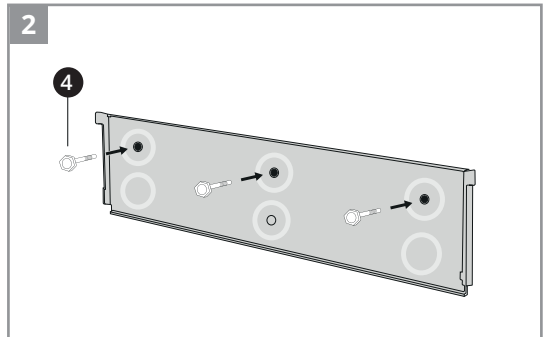
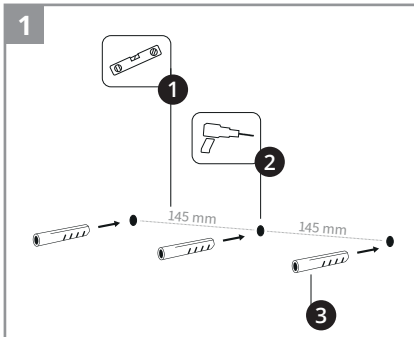


! Safety notice

The inverters may only be installed by trained and authorized specialists. It is absolutely necessary to read the Operating and Installation instructions.

Manuals can be downloaded from our website at <https://kaco-newenergy.com>. The warnings and safety instructions which are provided in the manuals must be complied with entirely.

Installation

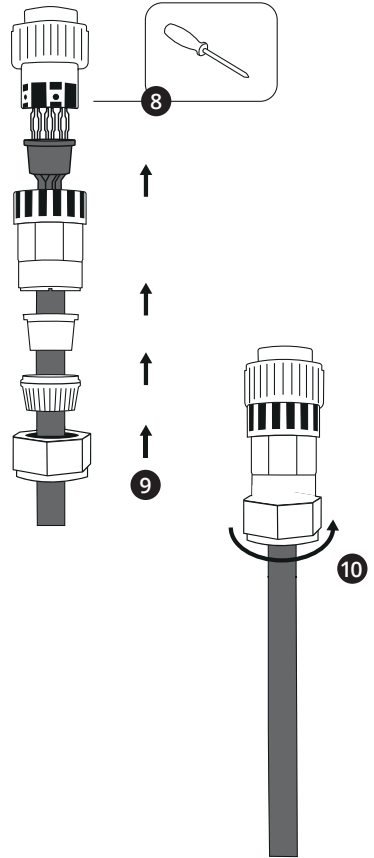




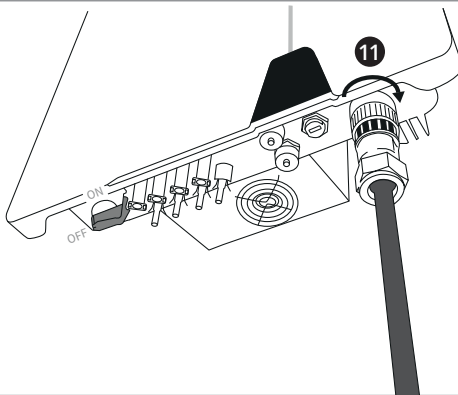
4



5

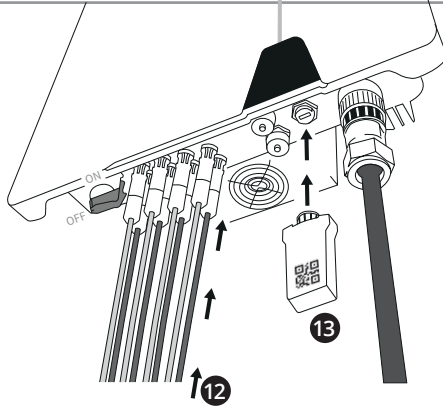


6

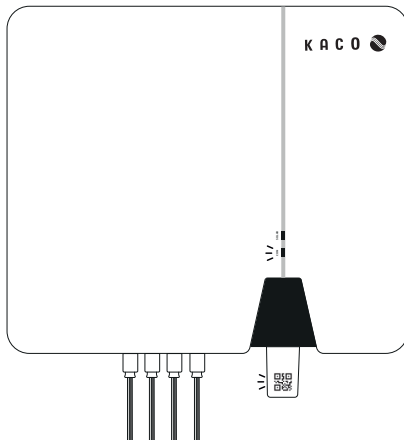
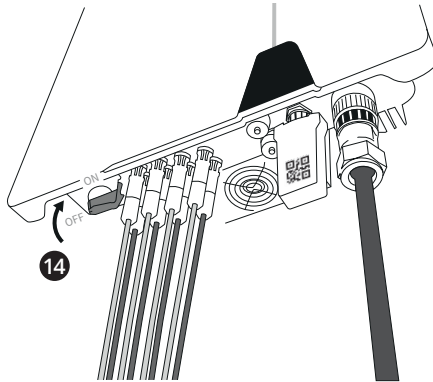




7



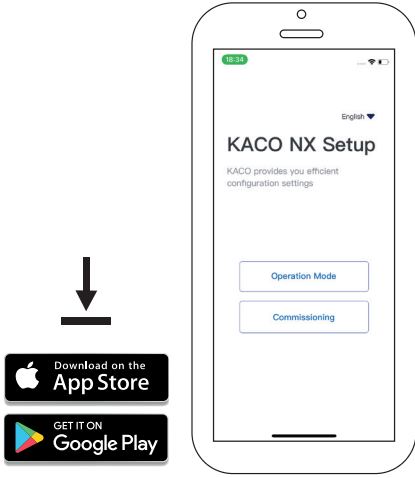
8



Commissioning



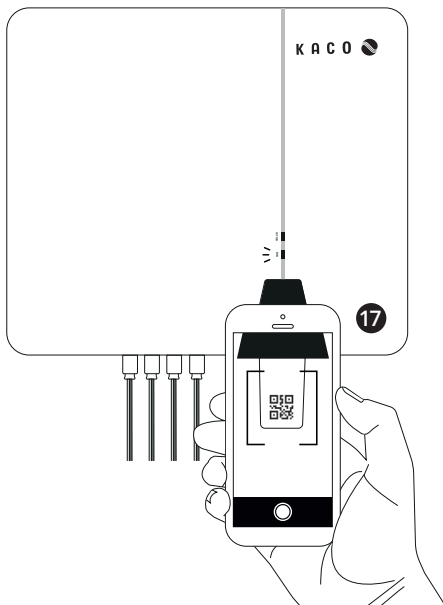
9



10

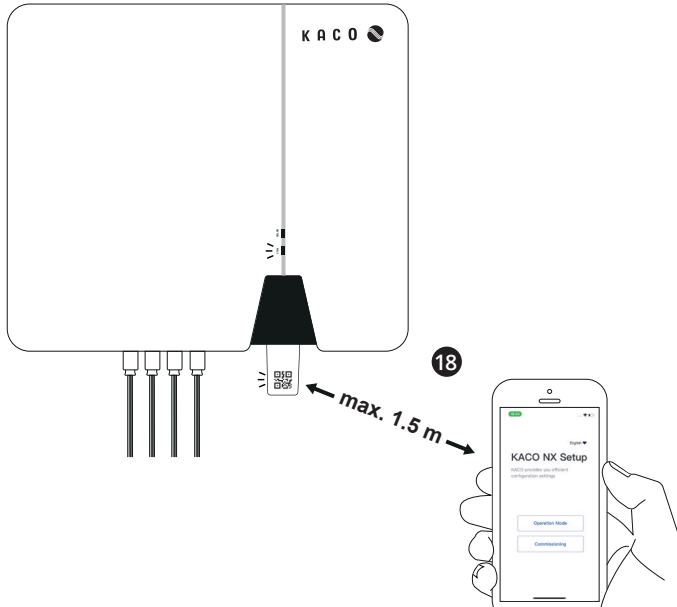


11

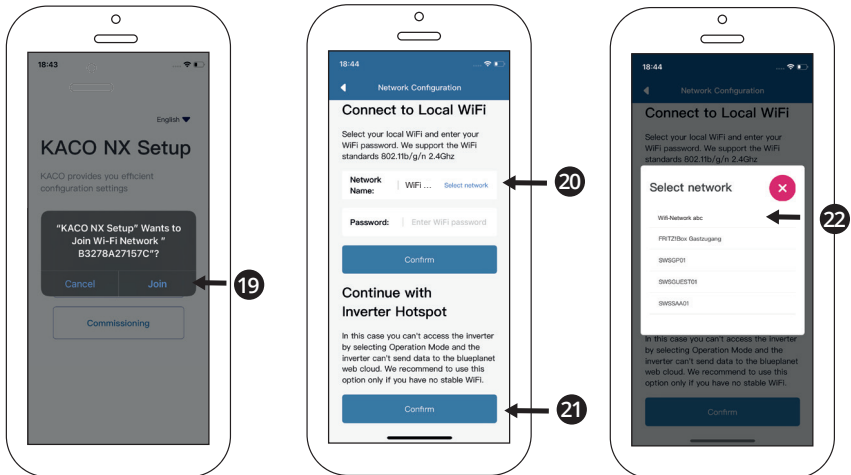




12



13

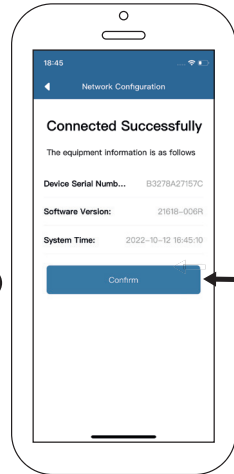
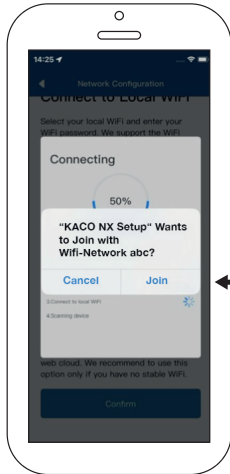
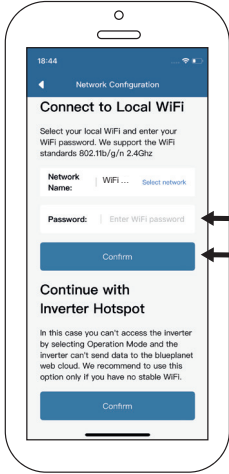


20 Recommended option, stable local WiFi is required.

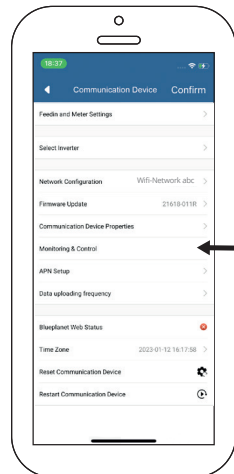
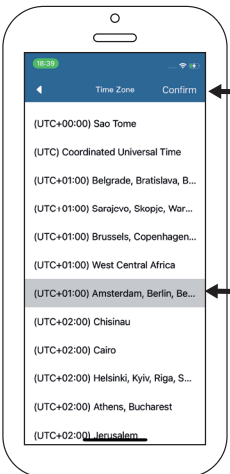
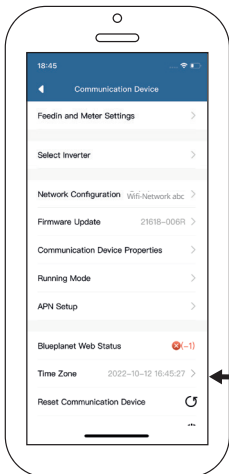
21 Alternative option if there is no local WiFi available. After clicking „confirm“ you can continue with step 27



14

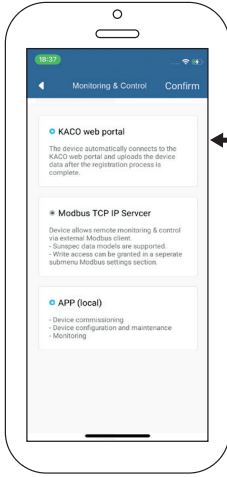


15

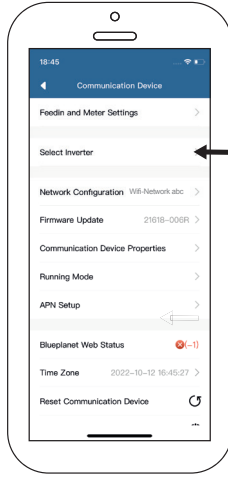




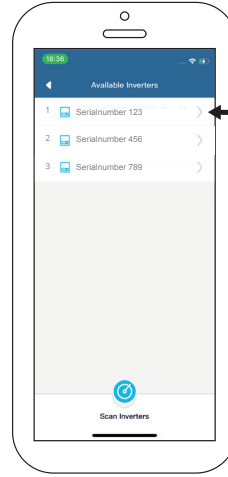
16



31

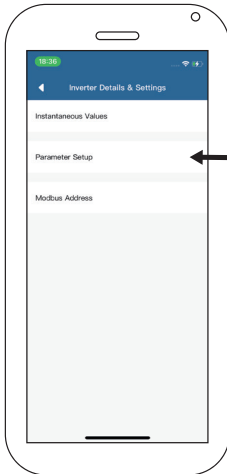


32

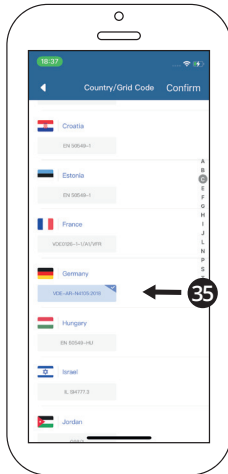


33

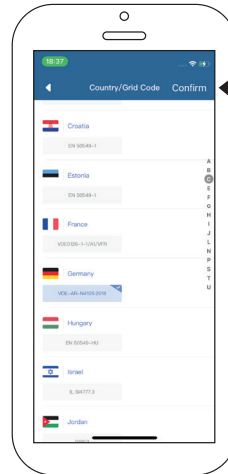
17



34



35

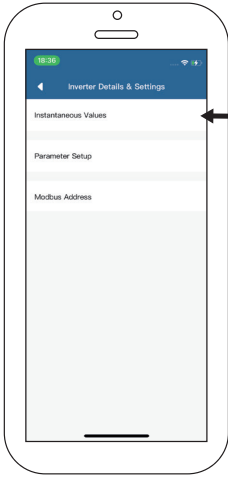


36

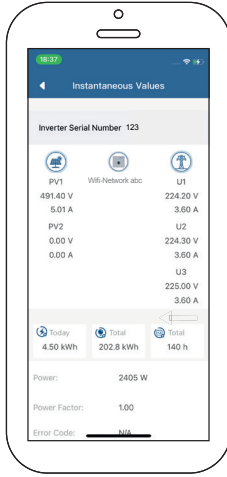


18

Check if your inverter feeds in.

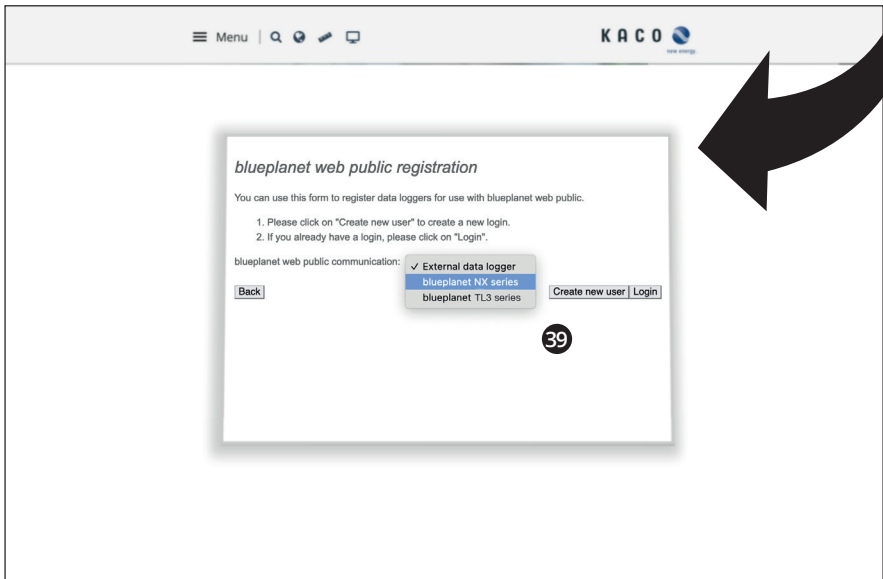


37





19





Menu | Search | Help | Contact

KACO new energy

blueplanet web public registration

You can use this form to register data loggers for use with blueplanet web public.

1. Please click on "Create new user" to create a new login.
2. If you already have a login, please click on "Login".

blueplanet web public communication: blueplanet NX series

Back Create new user Login

40

Menu | Search | Help | Contact

KACO new energy

Change language [Flags]

blueplanet web public registration

Data logger

Inverter serial number(s)*: 123

* Please enter the serial number of the inverters. Up to 5 inverters can be registered in this registration process.

Continue

User data

System

I have read the [General Terms and Conditions](#) and the [Data privacy statement](#) and accept them.

Submit information

41

41 Software Version > 2.0? Insert Wi-Fi stick serial number



21

Menu | Search | Help | Settings | Logout

KACO new energy

Change language

KACO

blueplanet web public registration

Data logger

Inverter serial number(s)*:

* Please enter the serial number of the inverter here. Up to 5 inverters can be registered in this registration process.

Continue

User data

System

I have read the [General Terms and Conditions](#) and the [Data privacy statement](#) and accept them.

Submit information

42

Menu | Search | Help | Settings | Logout

KACO new energy

Change language

KACO

blueplanet web public registration

Data logger

User data

Registration

E-mail*:

Password:

Repeat password:

* Note: Your e-mail address is also your user name.

Back

Continue

System

I have read the [General Terms and Conditions](#) and the [Data privacy statement](#) and accept them.

Submit information

43



Menu | Search | Settings | Logout

KACO new energy

Change language

KACO

blueplanet web public registration

Data logger

User data

Registration

E-mail*:

Password:

Repeat password:

* Note: Your e-mail address is also your user name.

Back Continue

System

I have read the [General Terms and Conditions](#) and the [Data privacy statement](#) and accept them.

44

Menu | Search | Settings | Logout

KACO new energy

System

System name:

Installed power:

System description*:

Site data

Map: On Off

Longitude:

Latitude:

Adresse (optional):

Back

I have read the [General Terms and Conditions](#) and the [Data privacy statement](#) and accept them.

45



23


Menu | Search | Settings | Logout | KACO new energy

System

System name: ✓
Installed power: kwp ✓
System description*:

Site data

Map: Map Satellite



Longitude: ✓
Latitude: ✓
Address (optional):

I have read the General Terms and Conditions and the Data privacy statement and accept them.

46


Menu | Search | Settings | Logout | KACO new energy

System

System name: ✓
Installed power: kwp ✓
System description*:

Site data


Map: Map Satellite



Longitude: ✓
Latitude: ✓
Address (optional):

I have read the General Terms and Conditions and the Data privacy statement and accept them.

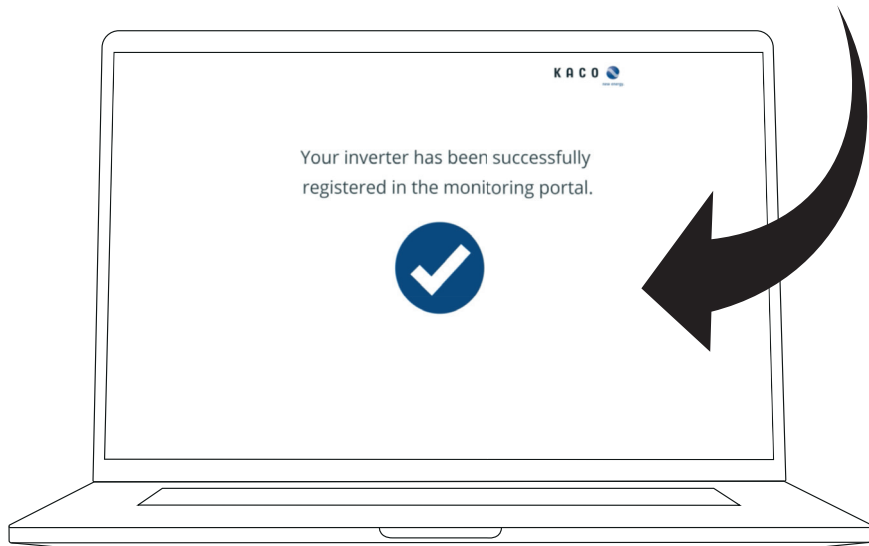
47



The screenshot shows the top navigation bar with a menu icon, search, and social media icons, followed by the KACO logo. Below is a banner image of a person in a white shirt holding a tablet displaying data charts. The main heading is "blueplanet web" with the subtext "pro or public - that is the question". The content is divided into two columns: "blueplanet web pro" and "blueplanet web public".

blueplanet web pro
Our professional monitoring portal offers you detailed and clear system monitoring in a customizable environment. This helps you to minutely track the performance of your PV plant, to react quickly to abnormalities and to secure your investment.
[LOGIN BLUEPLANET WEB PRO](#)
Learn more about blueplanet web pro >>
[View demo plant >>](#)
Registration: Save the following PDF and send the completed form to web-registration@kaco-newenergy.de
[Download Registration>>](#)

blueplanet web public
Blueplanet web public is our online portal for the free monitoring of PV plants up to 100 kWp for newly registered users from December 1, 2018. It gives you concise information about the performance of your system any time from anywhere via the Internet.
[LOGIN BLUEPLANET WEB PUBLIC](#)
Learn more about blueplanet web public >>
[View demo plant >>](#)
Register your PV plant in blueplanet web public free of charge >>



blueplanet NX3 series

